

## MPAK+ Blower Packages

**MPAK+** is engineered as a low-cost, factory built, enclosed package to meet specific applications and designed for simple installation. The Frame 2 enclosed packages utilize the bi-lobe CP5006 and CP6008 Oil/Oil lubricated, air service blowers to provide flow from 200 to 550 CFM, pressure from 6 to 13 PSI, and vacuum from 10" to 14" Hg. MPAK+ packages, along with all other M-D Pneumatics products are backed by M-D Pneumatics' premium customer service.

**Engineered with options and Flexibility.** Get maximum performance, extreme reliability and cost efficiencies by sizing M-D Pneumatics air blowers to your application and environment.

**Cost effective with fast delivery.** The MPAK+ is designed to provide a low cost option for customers who need a dependable, factory built Blower Package. The Pressure/Flow range The drive groups inside the packages have been optimized to larger Pressure/Flow ranges, allowing for minimal inventory, and quick delivery to the customer.

**Maintenance friendly design.** These enclosed packages allow easy access to components. The Enclosed design features front and top access to easily check oil levels and perform routine maintenance. Oil levels can be easily determined by viewing the 3-D Oil Sight Glasses.

**Easy to operate.** Standard gauges measure pressure, temperature, and inlet vacuum.

**Ready to go.** MPAK + packages are factory assembled and require minimal training at start up.

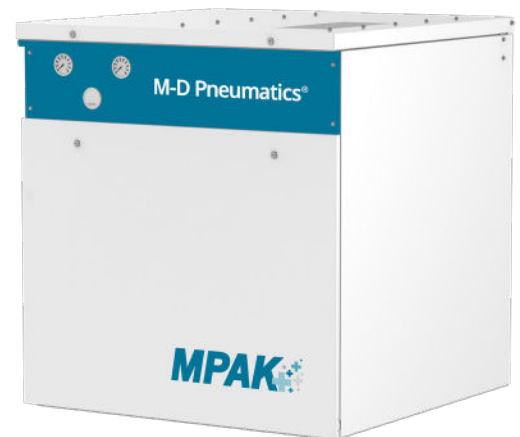
**Easy to move.** Remove front panel, and slide fork lift directly under the base frame.

### Additional Features

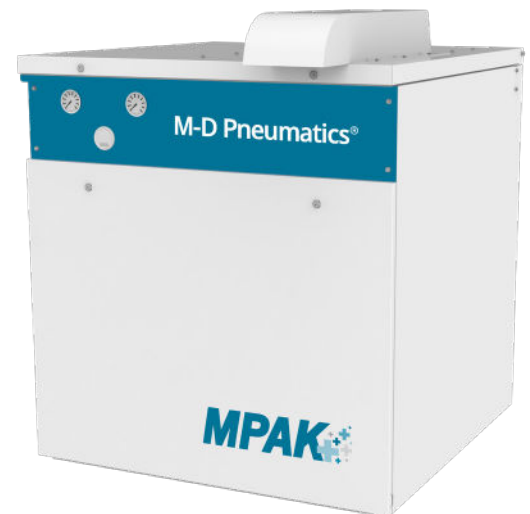
- TEFC NEMA Premium efficiency motor standard with 1.15 service factor
- Inlet silencer/filter
- Integral silencer/base
- Acoustic enclosure mounting feet with brackets allowing for high-wind outdoor environments
- New OSHA compliant wire belt guard for easy belt maintenance
- Suitable for indoor or outdoor installation
- Shipped completely assembled for convenient installation
- Outdoor weather hood

### Typical Applications:

MPAK+ blower packages are used by customers in markets such as Food & Beverage, Power & Energy, and Construction. This model is engineered to handle demanding applications such as pneumatic conveying and wastewater aeration.



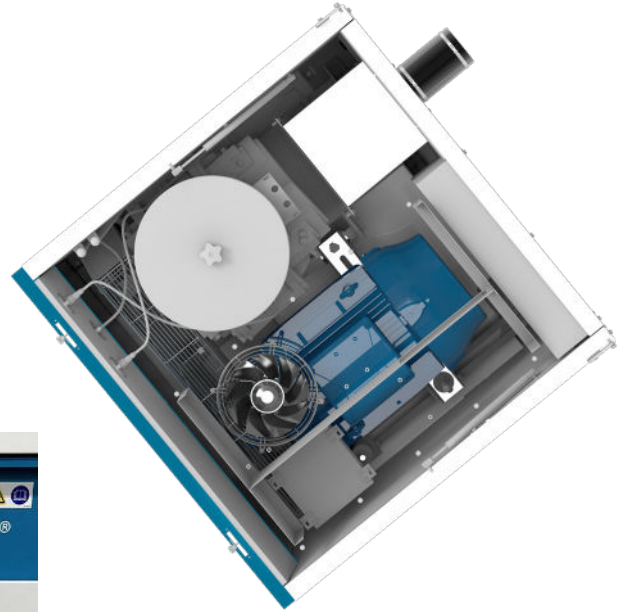
### MPAK+ With Sound Attenuating Enclosure



### MPAK+ With Enclosure and Optional Weather Hood

## Design Features

- Pressure, Vac, and Temp gauges standard.
- Removable front access panel opens for easy service of blower, motor and components.
- Lift-up gas spring top lid/exhaust fan.
- 3-D Oil Sight Glasses for leak free oil level monitoring.
- Oil Fill/Drain hoses for oil change convenience.
- Lightweight, rubber coated, wire.
- Easily check oil levels on blower with belt guard for easy belt assembly two 3-D Oil Sight Glasses.



## Performance Specs

	Lower CFM	Lower m <sup>3</sup> /H	Upper CFM at Min. Pressure	Upper m <sup>3</sup> /H at Min. Pressure	Max Pressure PSIG	Max Pressure barg	inHg / mbar
	250	425	530	901	13*	0.89	14 inHg / 474.09 mbar
	500	850	805	1369	13*	0.89	14 inHg / 474.09 mbar

\*MPAK+ Frame 2 Package is limited to 13 PSIG. More frame sizes to come in the future.

## CP Series Blower

The CP Series blower is engineered for the highest pressure capability in its class and 20% longer life than other comparable blowers. With more standard features like triple lip seals, single piece shaft, helical gears for quieter operation, 3-D sight glasses (MPAK+ Only) and magnetic drain plugs, the CP Series offers the best value in its class.



CP Series blowers on paint line.

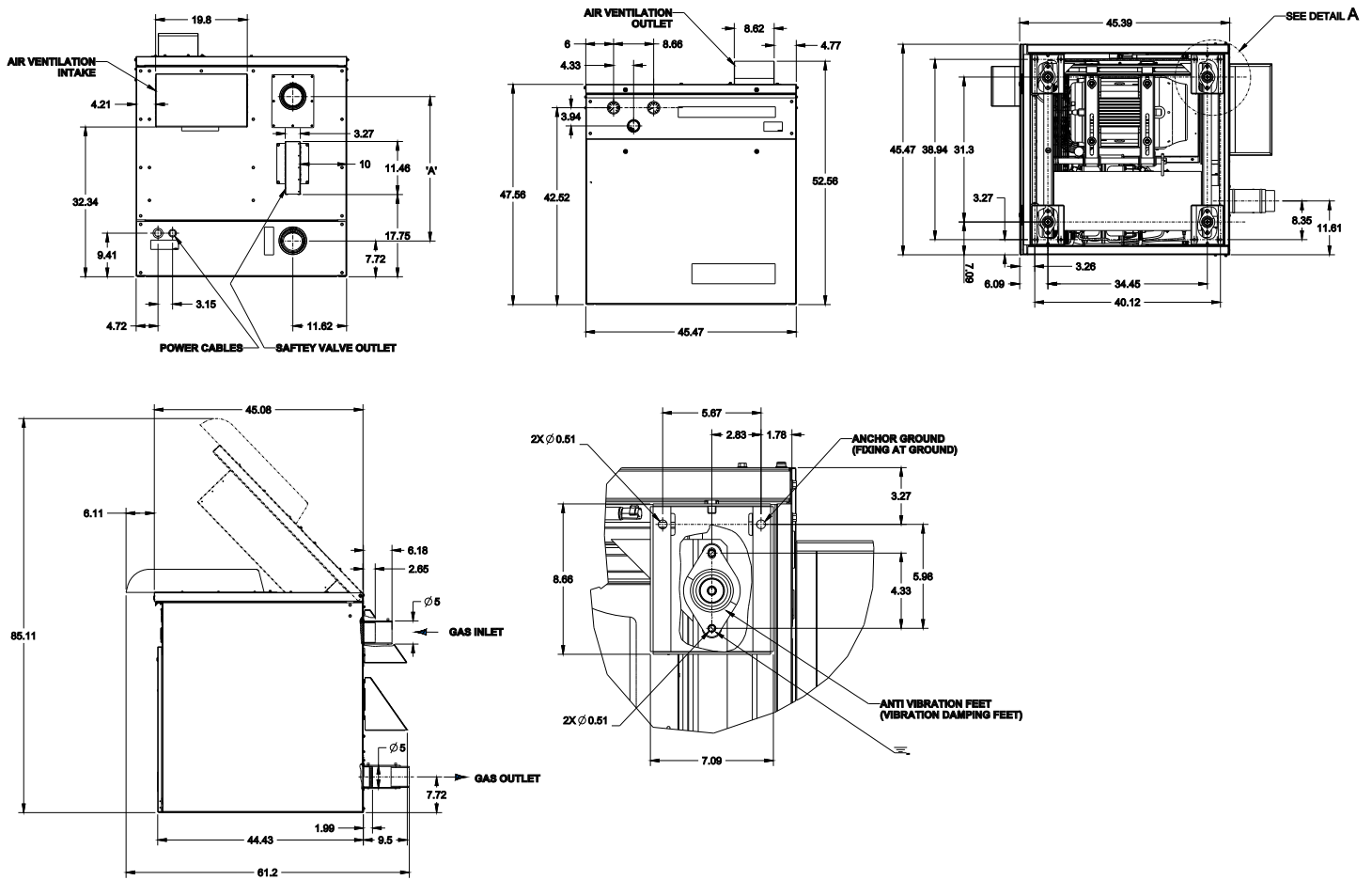


CP Series blower internal helical gears.

## MPAK+ Dimensions (drawing shown in inches only)

## Enclosed Package Views

Dimensions represent a pressure enclosed package built with a CP5006 or CP6008 Bi-Lobe Blower.  
 An M-D Pneumatics representative can provide drawings for blower package combinations specific to an application.



	A
	in. / mm.
	29.08 / 738.5
	30.19 / 766.8

For more information, contact your  
Regional Sales Manager or call us at:

**1-800-825-6937**

Your Local Sales Professional:

Comairco  
800-463-8780  
[www.comairco.com](http://www.comairco.com)

©2024 Industrial Technologies and Services, LLC All rights reserved.

M-D PNEUMATICS • 4840 W. KEARNEY ST., SPRINGFIELD, MO 65803 USA  
P: 417-865-8715 OR 1-800-825-6937 • F: 417-865-2950

[WWW.MD-KINNEY.COM/BLOWERS](http://WWW.MD-KINNEY.COM/BLOWERS)

MD-CS-MPAK+ 1st Ed. 1/24